



HONGYAO Lighting

Specification Sheet

- LED DOUBLE RING CEILING LIGHT -
(CCT Tunable and Dimmable)
• Thin style •



Zhejiang Hongyao Lighting Electrical Co., Ltd

No.209 Shennan Rd. Da Yang Jie Dao, Linhai City. Zhejiang China 317000 www.chongyao.com
Trading@chongyao.com Tel: +86 576-85381918 Fax:+86 576-85381913

SPECIFICATIONS

FEATURE

- Featuring tunable White Color Temperature: 2700K,3500K,4000K,5000K and 6500K
- Body: Stainless steel
- Diffusers:High light transmittance polycarbonate
- The LED fixture is Triac dimming, compatible with 95% dimmers of Lutron And Leviton
- High luminous efficiency, good color
- WARRANTY--5-year limited warranty



APPLICATION

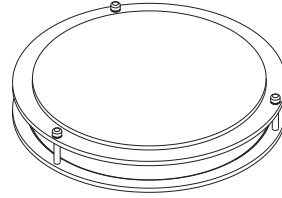
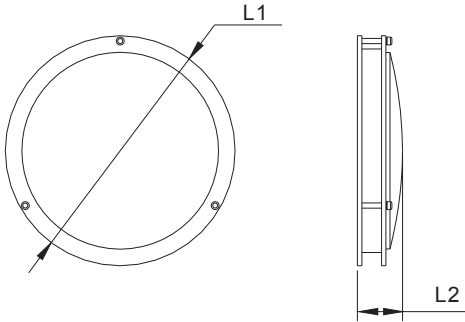
- drawing room,bedroom,corridor and administration office

Specifications			
Model No.	HY -DR12-16WXXK	HY -DR14-22WXXK	HY -DR16-26WXXK
	HY -DR12-16WCCT	HY -DR14-22WCCT	HY -DR16-26WCCT
Power:	16W	22W	26W
Size:	12"	14"	16"
Input Voltage:	120 VAC		
Lumens	1280LM	1760LM	2080LM
Protection Rating	IP20 (For Indoor Use Only)		
Beam Angle	120°		
Power Factor	>0.9		
CCT:	2700K/3500K/4000K/5000K/6500K		
CRI:	>80		
Working Life:	Lumen Maintenance over 70% @ 50,000+ Hours		
Oper. Temperature	-13°F ~+113°F / -25°C ~+45°C		
Certification	ETL		

PRODUCT DIMENSIONS

Front View

Side View



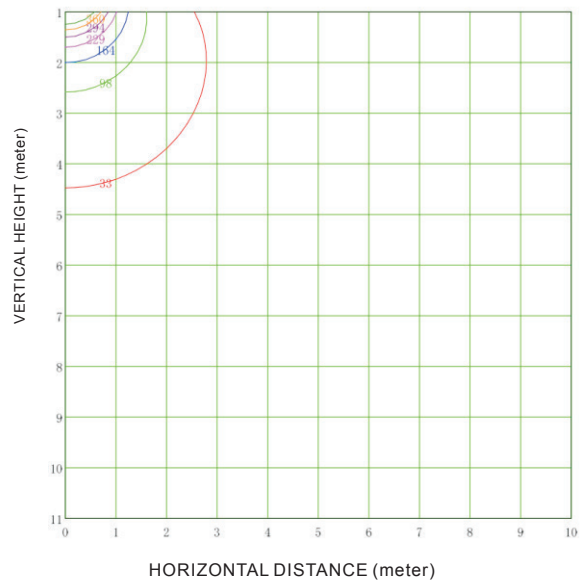
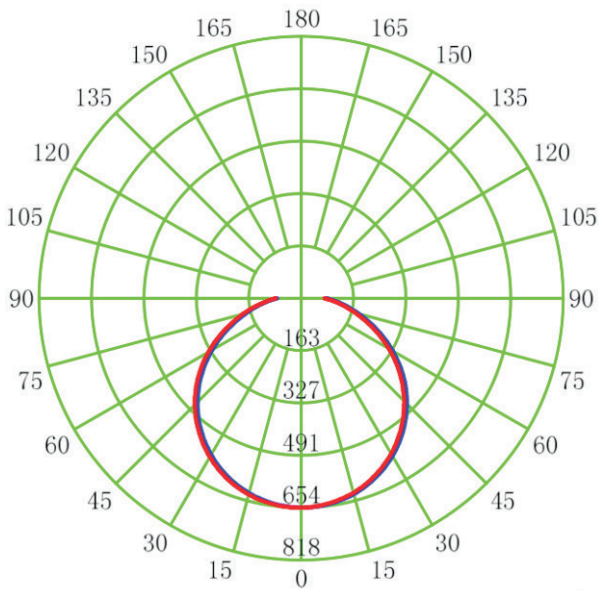
Model No.	HY -DR12-16WXXK HY -DR12-16WCCT	HY -DR14-22WXXK HY -DR14-22WCCT	HY -DR16-26WXXK HY -DR16-26WCCT
Size	Φ 305mm/Φ 12"	Φ 355mm/Φ 14"	Φ 405mm/Φ 16"
L1	65mm/2.56"	75mm/2.95"	85mm/3.35"
L2	65mm/2.56"	75mm/2.95"	85mm/3.35"

PHOTOMETRIC REPORT

16" LIGHT

LUMINOUS INTENSITY DISTRIBUTION DIAGRAM

VERTICAL EQUILUMINOUS CURVE



— C0-C180 — C90-C270

(5%): 32.7 lx (15%): 98.2 lx
(25%): 163.6 lx (35%): 229.1 lx
(45%): 294.5 lx (55%): 359.9 lx
(65%): 425.4 lx

**ORDERING GUIDE**

Package Information			
Model No.	HY -DR12-16WXXX	HY -DR14-22WXXX	HY -DR16-26WXXX
	HY -DR12-16WCCT	HY -DR14-22WCCT	HY -DR16-26WCCT
Size	12"	14"	16"
Qty/Pack	6 PCS		
Package Size	470X330X335mm	505X375X380mm	590X425X420mm
	18.5"X13.0"X13.2"	19.9"X14.8"X15.0"	23.3"X16.7"X16.5"
Package Weight	5.99 kg/13.2 lbs	8.1 kg/17.9 lbs	10.03 kg/22.1 lbs
Package CBM	0.051959	0.071963	0.105315
40GP Capacity	~6690 PCS	~4830 PCS	~3300 PCS
40HQ Capacity	~7850 PCS	~5660 PCS	~3870 PCS
45HQ Capacity	~9000 PCS	~6500 PCS	~4440 PCS

ORDERING CODE DEFINITION

Company Code	Product	Size	Watt	XXK
HY	DR: LED CEILING LIGHT	12" 14" 16"	12": 16W 14": 22W 16": 26W	27K: 2700K 30K: 3000K 40K: 4000K 50K: 5000K 65K: 6500K CCT Selectable

WARNING

Failure to install and wire fixture in accordance with the National Electrical Codes(NEC), all applicable Federal, State and Local electrical codes, as well as specific U.L. Safety standards for the intended working environment (location/application), may cause serious personal injury, death and or property damage. This product must be installed by a person familiar with the construction and operation of the product and the hazards involved.

For 120V 60Hz use only. Risk of fire and electrical shock, most dwellings built before 1985 have supply wires rated 60C. Consult a qualified electrician before installing. IF supply wires are located within 3 inches of the ballast, use wires rated at least 90°C.

The LED fixture is Triac dimming, compatible with 95% dimmers of Lutron And Leviton

- CAUTION:

TURN OFF POWER FROM THE MAIN CIRCUIT BEFORE INSTALLING FIXTURE. Make sure fixture is grounded per National Electrical Codes(ec). This fixture is suitable for dry location only.

- IMPORTANT NOTE:

The safe guards and instructions appearing in the page are not meant to cover all possible conditions and situations that may occur. It may be understood that common sense, cautions and care are factors which cannot be built into any product, The person(s) installing, operation and responsible for the light fixture, must execute. these factors.

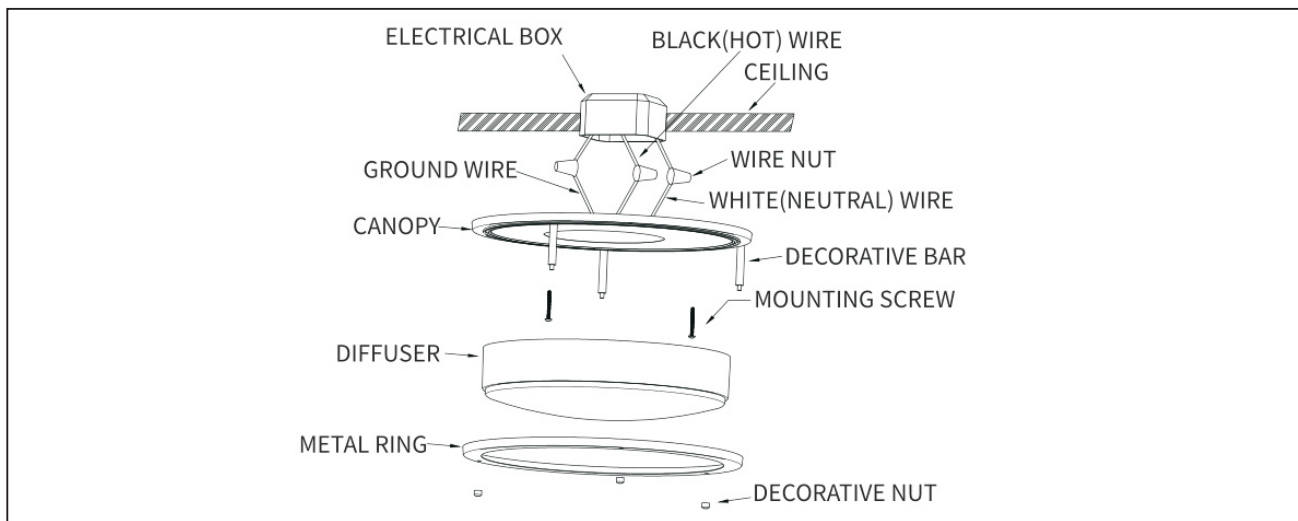
Zhejiang Hongyao Lighting Electrical Co., Ltd

No.209 Shennan Rd. Da Yang Jie Dao, Linhai City. Zhejiang China 317000 www.chongyao.com
Trading@chongyao.com Tel: +86 576-85381918 Fax:+86 576-85381913

INSTALLATION INSTRUCTION

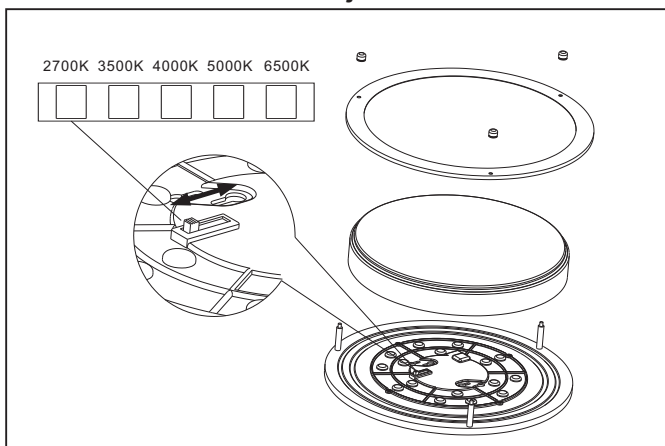
INSTALLATION STEPS

1. Tools and material needed: screwdriver, pliers, wire nuts, electrical tape
2. To help prevent the possibility of electrical shock, the use of rubber sole shoes is recommended
3. Exercise care when handling the fixture to avoid cuts or abrasions
4. If a ladder is needed, make sure to use a sturdy wooden one
5. Screw the long mounting screws into electrical box about two complete turns. (Mounting screws included)
6. Electrical connection: Make sure electricity to the circuit is turned off. Connect green/or bare copper wire to Ground screw (Ground must be properly installed or unit may not work). Connect white wire to white supply wire cover with nut/or twist together and cover really well with electrical tape. Connect black wire supply wire cover with a wire nut/or twist together and cover really well with the electrical tape.
7. Align the canopy base over the long mounting screws so that the screw comes through the keyhole slots. Spin the canopy slightly until screws are at the small end of the keyhole slots. Tighten the self-topping screws until the canopy fits snug to the ceiling
8. Align Diffuser evenly on canopy, then place metal ring on diffuser, let 3 screws from decorative tubes come out of the decorative ring. Twist 3 decorative nuts on top to tighten the ring and diffuser
9. Turn power on

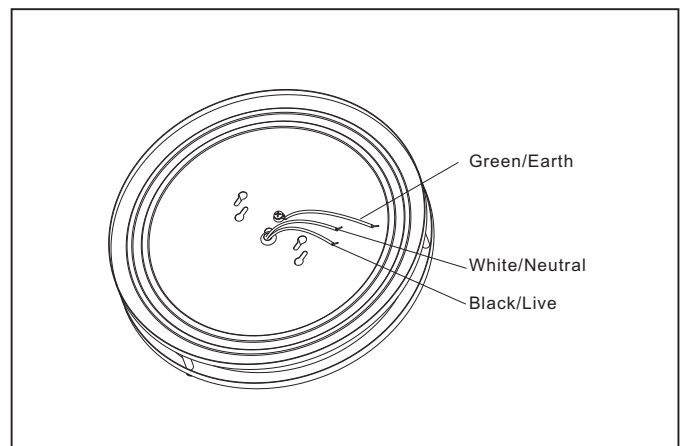


OPERATING GUIDE

1 CCT Adjustable



2 Wiring Guide



Accessories bag includes:



Zhejiang Hongyao Lighting Electrical Co., Ltd

No.209 Shennan Rd. Da Yang Jie Dao, Linhai City. Zhejiang China 317000 www.chongyao.com
 Trading@chongyao.com Tel: +86 576-85381918 Fax: +86 576-85381913